

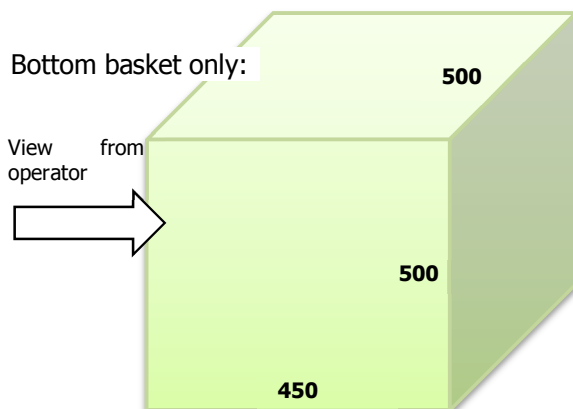
COMPACLEAN

HIGH PRESSURE SPRAY-IN-AIR CLEANING SYSTEM

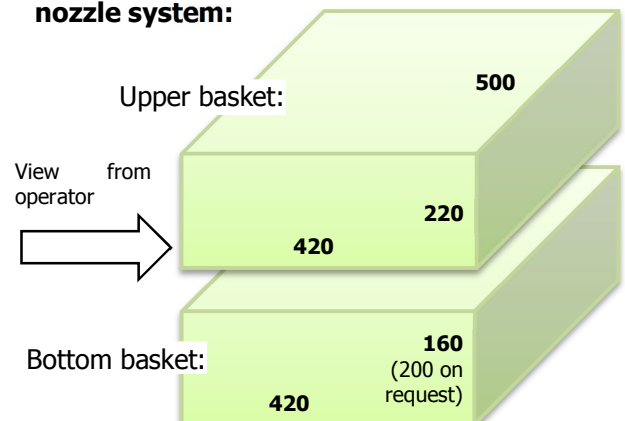


Usable dimension of chamber:

Standard usable space for board (other on request). With bottom basket only:



Standard usable space for boards (other on request). With upper basket and centric nozzle system:



Technical data

- Standard usable space for cleaned material (WxLxH) 450 x 500 x 500 mm (with bottom basket only)
- Standard usable space for cleaned material (WxLxH) 420 x 500 x 160 (200 on request) mm and 420 x 500 x 220 mm (with upper basket and centric nozzle system)
- Particular position and space depends on given clamping
- Please consult specific requirements with manufacturer representative.
- Customized modification available on request.

Process data

(Use, capacity and consumption of machine)

Typical consumption of cleaning agent w/o load (per one cycle)	0.15 liter
PCB defluxing and Misprints - max usable area at the disposal	2.55 m ²
Standard max. components height from front side + rear side	40 mm (other on req.)
Max load in 3U-160 eurocards (100x160mm) per one cycle	80 - 140 pcs
PCBA + Misprints 3U-160 eurocards (100x160mm) typical total cycle time	60 - 80 min
PCBA + Misprints 3U-160 eurocards (100x160mm) quantity per hour	Up to 140 pcs
PCBA + Misprints typical consumption / cycle (depends on PCB shape and pollution)	0.3 – 0.4 liter
Solder pallets - available space (necessary to specify clamping)	450 x 500 x 500 mm
Solder pallets quantity per hour	4 – 6 pcs
Typical total cycle time for solder pallets	45 – 60 min

Typical consumption are based on values from the field, however cannot be guaranteed because of other factor influence

Technical parameters

Machine dimensions (WxLxH)	880 × 1680 × 1866 mm
Weight (without liquid)	380 - 485 kg
Machine noisiness (at the operator position)	L _A (eqv) < 70 dB, L _C (peak) = 72 dB
Power supply voltage	3x 230 V/ 400 V, 50 Hz
Power input	14-21 kVA

Adjustable parameters

All the parameters are adjusted by means of the LCD touch screen.

Washing time (all types)	0-99 min.
Washing medium temperature (optional)	20-60°C
Rinsing time (all types)	0-99 min.
Rinsing temperature (optional)	20-40°C
Conductivity (II, IIR, IIR+,III)	0-999 μS/cm
pH (optional)	2-12
Drying time (all types)	0-99 min.
Drying temperature (all types)	20-110°C
Number of program registers (settings)	99

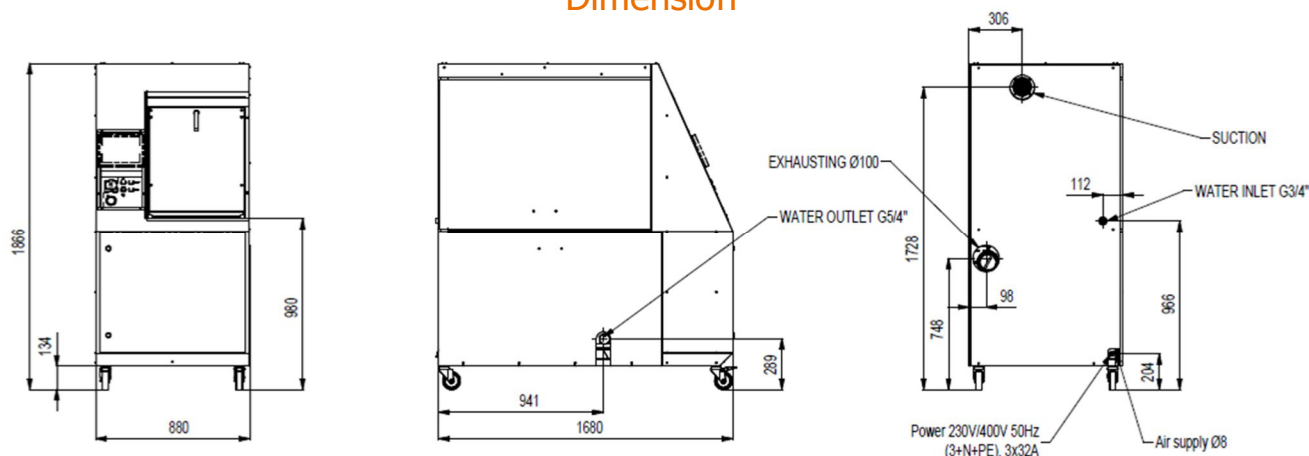
Note: All the adjusted parameters are not changed when the power supply is switched on or off.

Technological parameters

Standard - S	Not possible - N	IR+	III	II ECO	
Power input (according to configuration)		15-20	16-21	16	kVA
Washing - pressure on the nozzles max/min (sprayed from all 69 nozzles)		2,3	2,3	2,3	bar
Washing – max. flow (sprayed from all 69 nozzles)		141	141	141	l/min
Washing - pressure on the nozzles max/min (sprayed from 33 upper nozzles)		3,6	3,6	3,6	bar
Washing - max. flow (sprayed from 33 upper nozzles)		85	85	85	l/min
Tap water rinsing - pressure on the nozzles max/min (sprayed from 33 upper nozzles)		1,8	1,8		bar
Tap water rinsing - max. flow (sprayed from 33 upper nozzles)		60	60		l/min
DI rinsing - pressure on the nozzles max/min (sprayed from all 69 nozzles)			0,2		bar
DI rinsing – max. flow (sprayed from all 69 nozzles)			48		l/min
DI rinsing - pressure on the nozzles max/min (sprayed from 33 upper nozzles)			1,4		bar
DI rinsing - max. flow (sprayed from 33 upper nozzles)			53		l/min
DI rinsing - pressure on the nozzles max/min (sprayed from 36 lower nozzles)			-	2/1	bar
DI rinsing - max. flow (sprayed from 36 lower nozzles)			-	68	l/min
Washing decanter volume max/min		71/35	71/35	71/35	l
Rinsing decanter volume max/min		60/35	35/18	35/18	l

Note: Approximate values of pressure and flow are stated. The real values can be a bit different depending on the tolerances of used components. These differences have no effect on cleaning

Dimension



Required service and maintenance area

From the front side of the machine minimally 0,8 m

It is area for machine operation and accessing area into the switchbox (this space has to meet the directive IEC 60364-1:2005).

From the left side min. 0,8 m

It is area for machine service and maintenance.

From the right side min. 0,1 m

The machine rear part min. 0,2 m
(Central exhaust system connection)

The height (machine with signal tower for indication of machine status - optional) = **2,22 m**.

The width (machine with pump unit of drain water - optional) = **1,13 m**.

